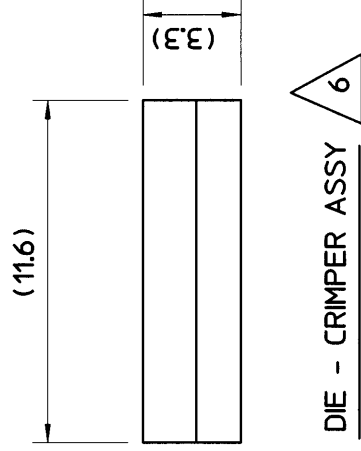
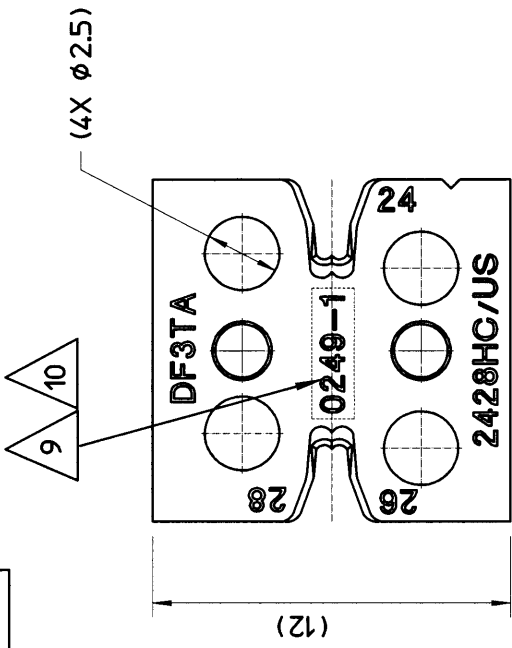
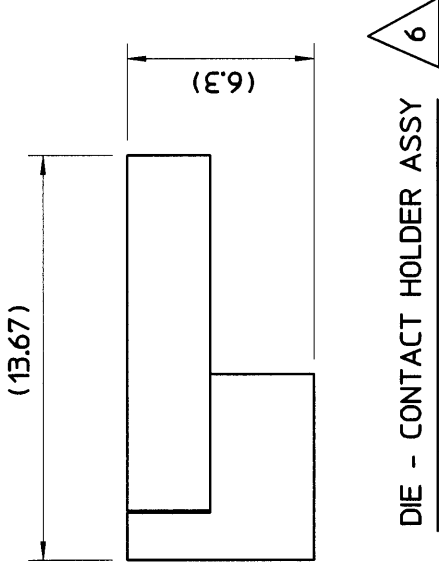
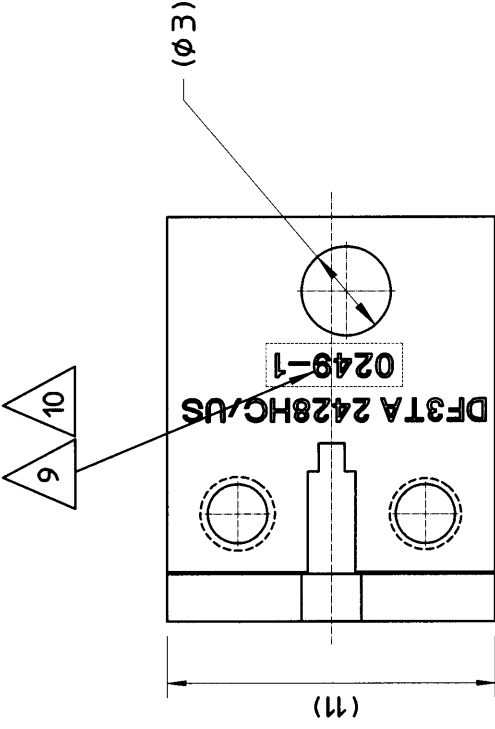


THE INFORMATION CONTAIN HEREIN IS PROPRIETARY TO HIROSE ELECTRIC (USA), INC., ALL RIGHTS THEREIN ARE RESERVED AND SHALL NOT BE USED, DUPLICATED, OR FURTHER DISSEMINATED FOR ANY PURPOSE WITHOUT THE CONSENT OF HIROSE ELECTRIC (USA), INC.

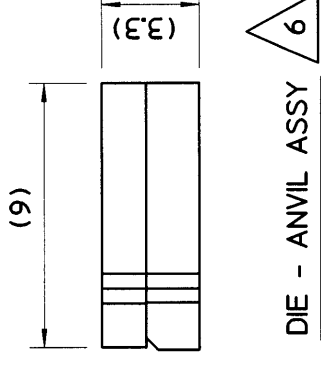
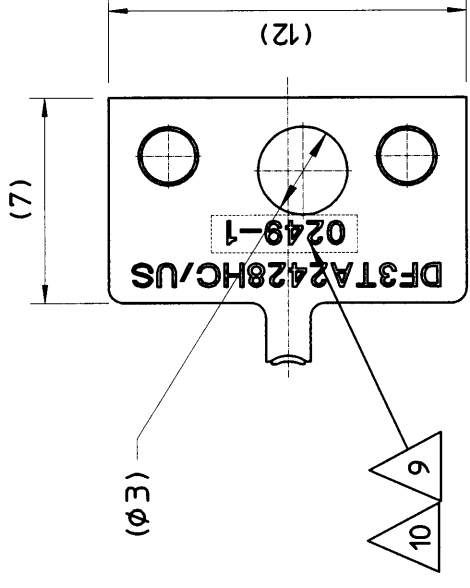
ZONE	REV.	DESCRIPTION	DATE	APPROVED
	N/R	NEW RELEASE	2/10/03	KMG
	A	REVISED PER DCN# 0872	5.19.03	A.S.



DIE - CRIMPER ASSY 6

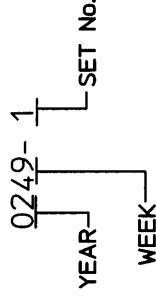


DIE - CONTACT HOLDER ASSY 6



DIE - ANVIL ASSY 6

DATE CODE EXPLANATION:



11. PACKAGING: CARDBOARD BOX, SIZE 203mm X 76mm X 51mm (8" X 3" X 2").
10 ALL THREE (3) DIES ARE SOLD AS MATCHING ASSEMBLY ONLY, AND TO BE MARKED WITH THE SAME DATE CODE.

9 DATE CODE AND SET No.; SEE EXAMPLE FOR EXPLANATION.

8. PART/No. DF3-TA2428HC/US-DS TO BE PURCHASED AS A SET ONLY.

7. RECOMMENDED NUMBER OF CRIMPING CYCLES - 15,000.

6 FOR ASSEMBLY, INSTALLATION AND OPERATION OF THIS DIE SET REFER TO

INSTRUCTION MANUAL P/No. PS076.

5. THIS DIE SET RECOMMENDED TO BE USED ONLY WITH APPLICABLE HAND CRIMP TOOL, P/No. HRUS-HT-1, TO CRIMP SOCKET TERMINAL, P/No. DF3-2428SC/SCC.

4. APPLICABLE WIRE STYLE: UL 1007, AWG 24, 26 AND 28.

3. MATERIAL AND FINISHES:

DIES, ANVILS, CONTACT STOPPER AND SPACER BLOCK- TOOL STEEL.

2. DIMENSIONS IN () ARE FOR REFERENCE ONLY

1. DIMENSIONING AND TOLERANCING PER ANSI/ASME Y14.5M-1994

NOTES (UNLESS OTHERWISE SPECIFIED)

CUSTOMER USE DRAWING

0AG18 <small>FROM NO. THIRD ANGLE PROJECTION</small> 	<small>UNLESS OTHERWISE SPECIFIED DIMENSIONS ARE IN MILLIMETERS TOLERANCES ARE:</small> X = ±0.1 .XX = ±0.05 .XXX = ±0.03 ANGLE = ±1°		HRS HIROSE ELECTRIC (U.S.A), INC SIMI VALLEY, CALIFORNIA 93065
	APPROVALS <small>Drawn</small> Luis Lostaunau 02/06/03 <small>Checked</small> Alla Shchur 02/07/03 <small>Released</small> Mac Nagashima 02/07/03 <small>Approved</small> Kris McGuire 02/10/03	CL NUMBER 5920-8500-0	PART NUMBER DF3-TA2428HC/US-DS
PROJECT NO. XXXXXXXXXX	DATE 02/07/03	SIZE B	REV. A
NEXT ASST. USED ON APPLICATION	SCALE N/A	DWG NUMBER DF3-TA2428HC/US-DS	SHEET 1 OF 1